

Name: _____

Date: _____

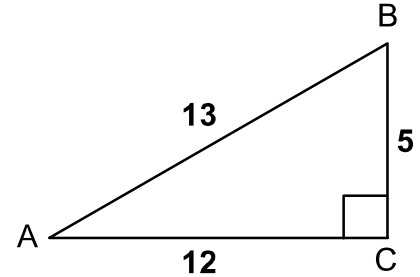
Time: ____ : ____ - ____ : ____

For each question, write the correct answer.

1. What is the perimeter of the triangle?

- a. 30
- b. 15
- c. 25

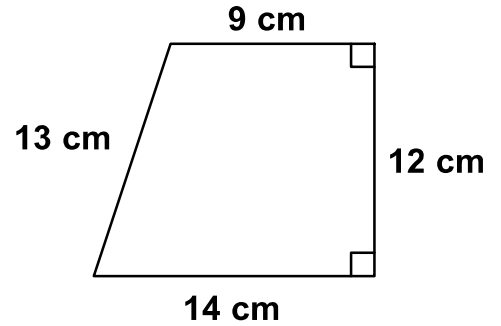
Answer ----- **30** -----



2. What is the perimeter of the trapezoid?

- a. 27 cm
- b. 48 cm
- c. 40 cm

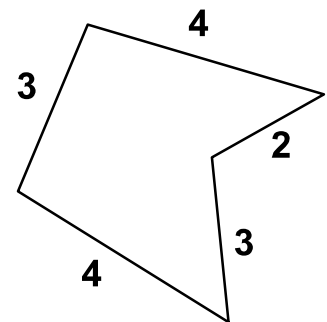
Answer -----



3. What is the perimeter of the polygon?

- a. 12
- b. 16
- c. 8

Answer -----



4. What is the perimeter of this polygon?

- a. 18 inches
- b. 11 inches
- c. 5 inches

Answer -----

