

Name: _____

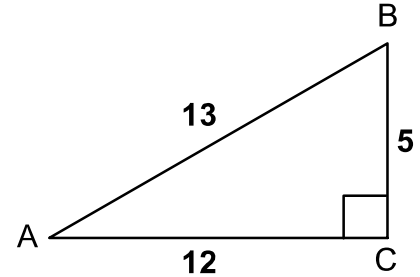
Date: _____

Time: ____ : ____ - ____ : ____

For each question, write the correct answer.

1. What is the perimeter of the triangle?

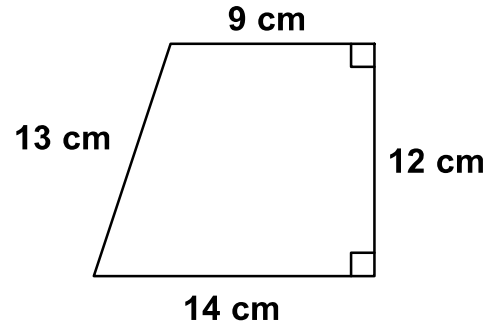
- a. 30
- b. 15
- c. 25



Answer ----- **30** -----

2. What is the perimeter of the trapezoid?

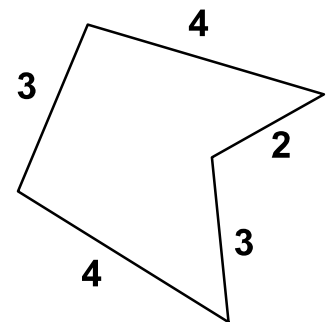
- a. 27 cm
- b. 48 cm
- c. 40 cm



Answer ----- **48 cm** -----

3. What is the perimeter of the polygon?

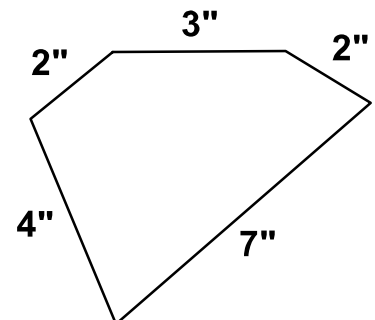
- a. 12
- b. 16
- c. 8



Answer ----- **16** -----

4. What is the perimeter of this polygon?

- a. 18 inches
- b. 11 inches
- c. 5 inches



Answer ----- **18 inches** -----